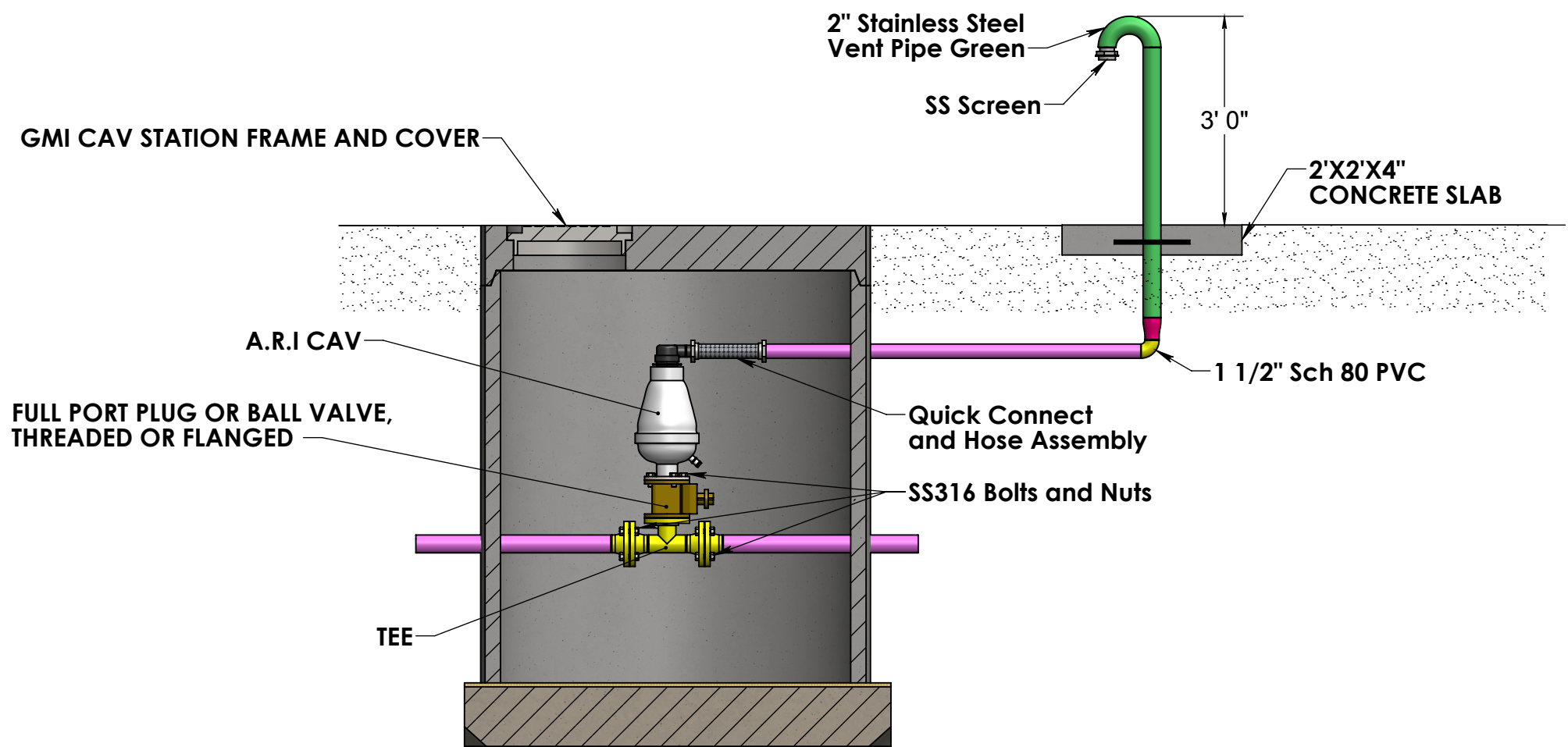
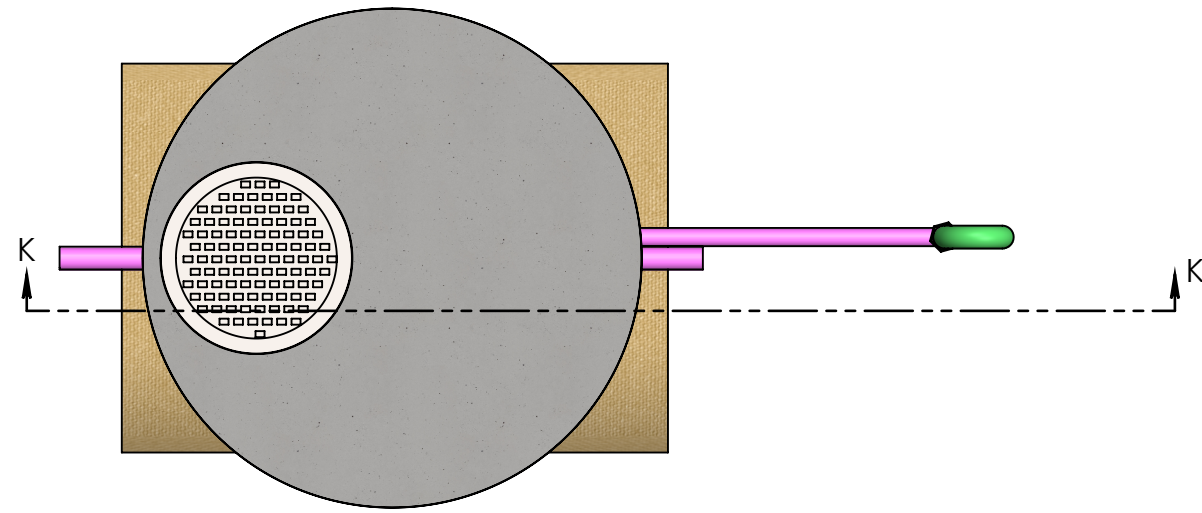
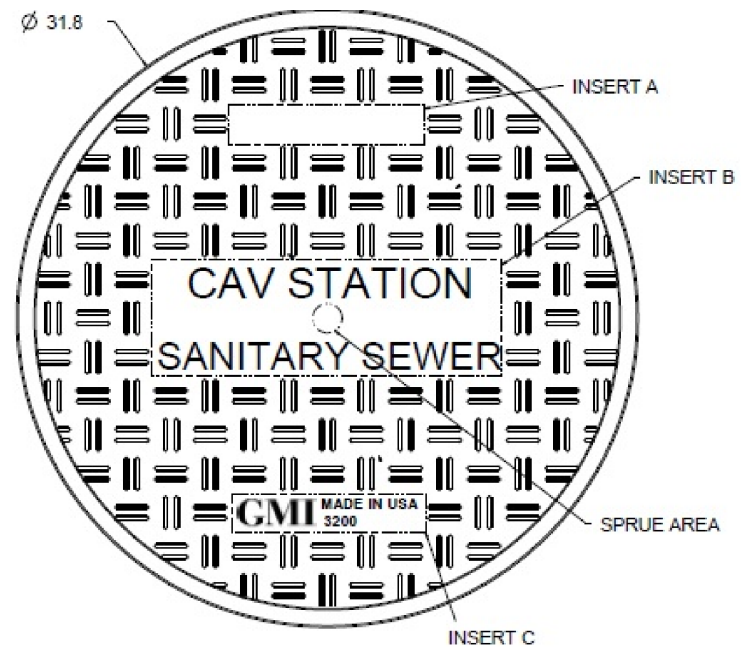


REVISIONS			
REV.	ECN NO.	DATE	APP'D
01		01/27/2015	




SECTION K-K  
SCALE 1 : 20

**MAY NOT USE WITHOUT PERMISSION OF MMG**

INFORMATION CONTAINED IN THIS DOCUMENT IS THE CONFIDENTIAL PROPERTY OF OSC. RECIPIENT SHALL NOT DISCLOSE SUCH INFORMATION TO ANY THIRD PARTY, AND SHALL NOT USE IT FOR ANY PURPOSE. © OSC. ALL RIGHTS RESERVED.

DIMENSIONS  
IN  
INCHES  
TOLERANCES  
EXCEPT  
AS NOTED:  
FRACTIONS ±1/32  
X.XX ±0.016  
X.XXX ±0.005  
ANGLES ±0°30'

 <b>ODOR CONTROL SPECIALTIES</b> TITLE		<b>CAV MANHOLE WITH OCS VENT</b>				
		DWN BY CAD	DATE 01/27/2015	PAGE 1 OF 1	SCALE 1:20	SIZE B